

Model: Printer Controller Type 251		Date: 15-Sep-97	No: 1
Modified Article: Printer Controller / HDD Unit		Prepared by: S.Tomoe	
From: QAC 2nd Field Information Dept.			
Reason for Modification:	<input checked="" type="checkbox"/> Parts catalog correction	<input type="checkbox"/> Vendor change	<input type="checkbox"/> To meet standards
	<input type="checkbox"/> To facilitate assembly	<input type="checkbox"/> To improve reliability	()
	<input type="checkbox"/> Part standardization	<input type="checkbox"/> Other	

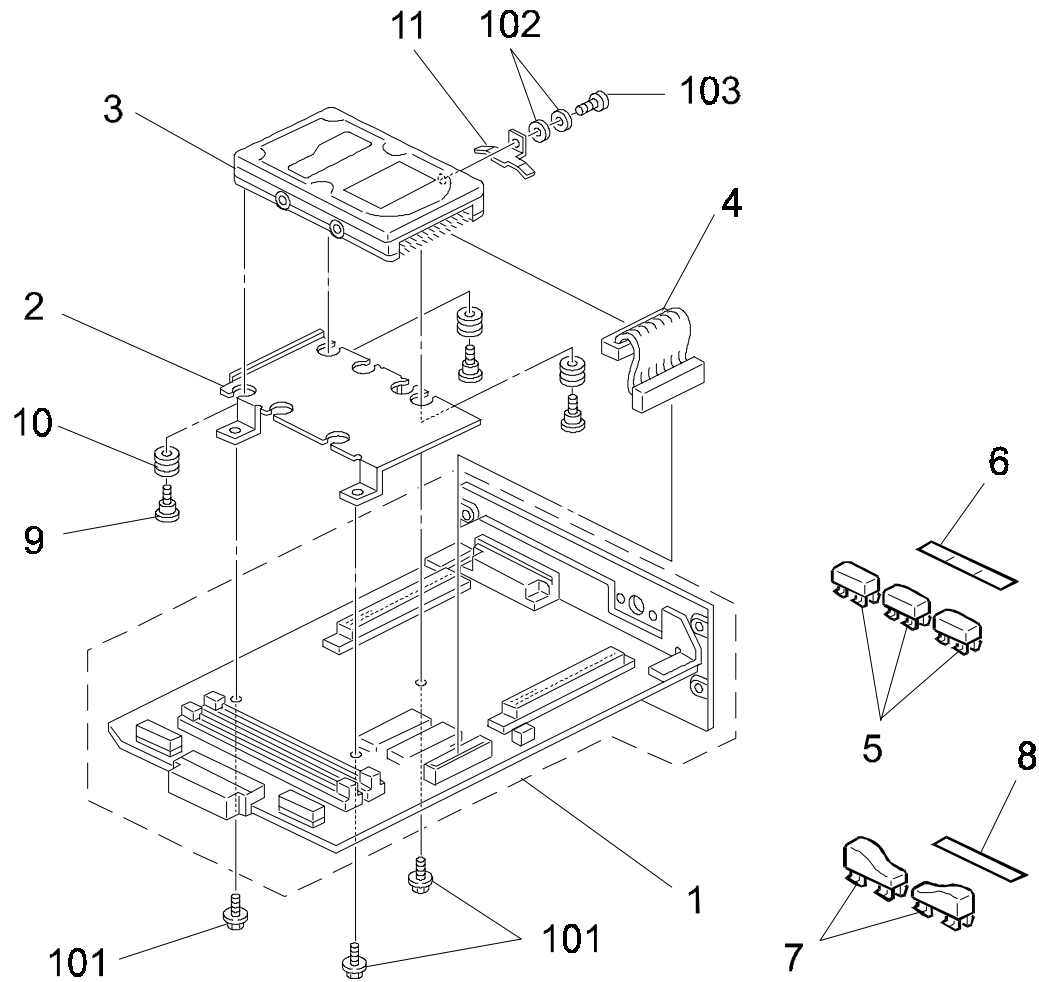
The following parts should be added and the illustration should be corrected.

Old part number	New part number	Description	Qty	Int	Page	Index	Note
	A1961496	Keytop - Copy/Fax/Prn	1		25	5	
	A6391500	Decal - Copy/Fax/Prn	1		25	6	
	A1941496	Keytop - Copy/Prn	1		25	7	
	A6431493	Decal - Copy/Prn	1		25	8	
	A1935843	Stepped Screw	3		25	9	
	AA161125	Bushing - HDD	3		25	10	
	A1935842	Grounding Plate - HDD	1		25	11	
	07120030W	Nut - M3			25	102	
	03130050B	Philips Pan Head Screw - M3X5			25	103	

Model: Printer Controller Type 251

Date: 15-Sep-97

No: 1



Model: AD1 Printer Controller Type251		Date: 15-Oct-99	No.: MA805002
Modified Article: Printer Controller Board		Prepared by: K. Ugaeri	
From: Technical Service Dept., GTS Division			
Reason for Modification:	<input checked="" type="checkbox"/> Parts catalog correction	<input type="checkbox"/> Vendor change	<input type="checkbox"/> To meet standards ()
	<input type="checkbox"/> To facilitate assembly	<input type="checkbox"/> To improve reliability	
	<input type="checkbox"/> Part standardization	<input type="checkbox"/> Other	

The controller board is not registered as a service spare part. Please delete the part number from the parts catalog.

Old Part Number	New Part Number	Description	Qty	Int	Page	Index	Note
A8055100	(Deleted)	Printer Controller Board	1		25	1	

If the controller board is required, please use the option kit (which includes the bracket).